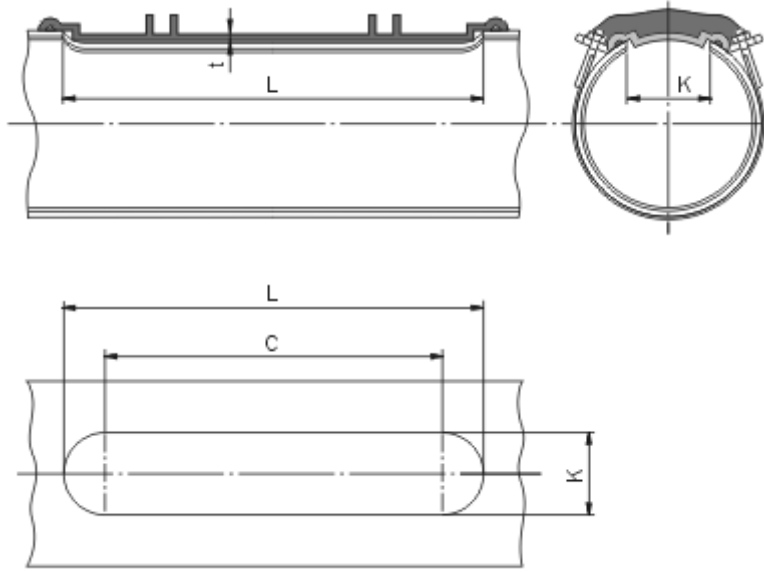




Access Trap



Unit : mm

DN	Thickness		Dimensions			Weight (kg)
	t	C	K	L		
250	9.0	450	172	622	17.0	
300	9.6	450	212	662	20.0	
350	10.2	450	212	662	18.0	
400	10.8	450	212	662	18.0	
450	11.4	450	212	662	18.0	
500	12.0	450	212	662	17.8	
600	13.2	350	290	640	28.5	
700	14.4	350	290	640	29.5	
800	15.6	350	290	640	30.0	
900	16.8	350	290	640	31.0	
1000	18.0	350	290	640	31.3	
1100	19.2	350	290	640	31.6	
1200	20.4	350	290	640	31.8	